

NPU

Mains decoupling relay



Features

- Included protections:
 - Over voltage
 - Under voltage
 - Voltage asymmetry
 - Over frequency
 - Under frequency
 - Phase sequence supervision
 - Vector shift supervision
- Mains measurement - voltage (L1-L3), frequency (L1-L3), maximum voltage asymmetry and vector shift, phase angles (L1-L2, L2-L3)
- Rated voltages - 100, 230, 400, 480 VAC
- Rated frequency - 50, 60 Hz
- Power supply:
 - 90 - 250 VAC
 - 16 - 110 VDC
- Indication by 4-digit display and 10 LEDs
- Four output relays for signaling the faults
- Separate adjustable time delay for each protection
- DIN rail mounted

Description

The NPU is 3-phase mains protection unit for applications with generators operating in parallel to mains. It provides adjustable voltage, frequency and vector shift protections to preserve both the power supplier and the generators.

The NPU offers convenient display of mains voltage and frequency measured values and fast indication of mains voltage failure via indication LEDs and output relays.

Wide range of models featuring various rated voltages, frequencies and supply voltages enables NPU to be used for large scale of applications.

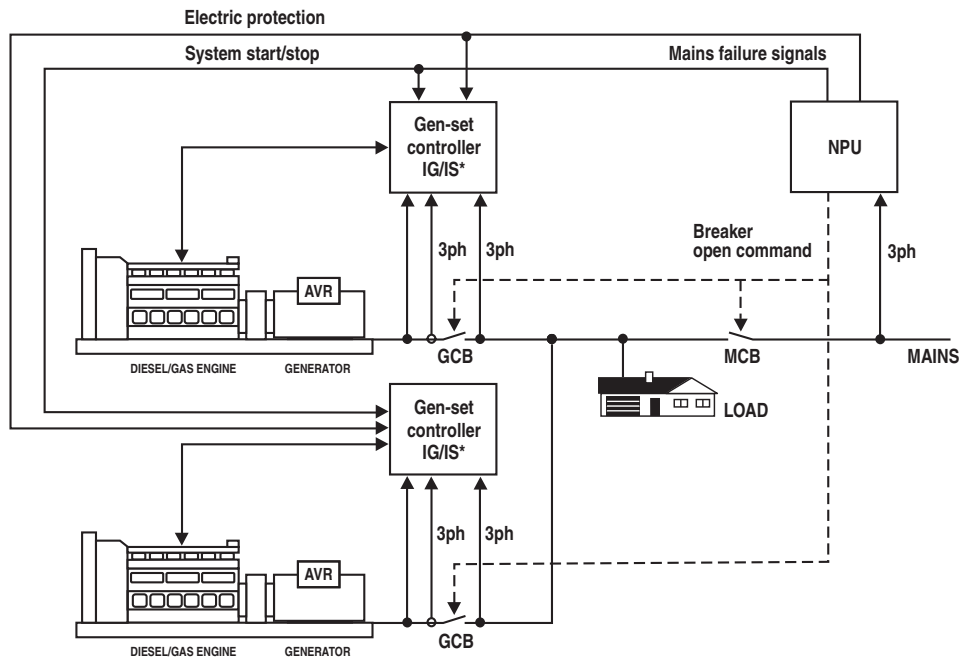
Benefits

- Satisfies G59 guidelines
- Effective compact solution
- Reliability proved by years of operation
- Performance ratio for competitive price



NPU

Mains decoupling relay



* IntelliGen/IntelliSys - ComAp gen-set controllers

Order codes

NPU - XXX / YYY / ZZZ

XXX - functions (FU - voltage+frequency protections, FUV - voltage+frequency+vector shift protections)

YYY - rated voltage

ZZZ - power supply range

Order code	Frequency protection	Voltage protection	Voltage asymmetry protection	Vector shift supervision	Rated voltage	Power supply voltage
NPU-FU/100/230 NPU-FU/100/24	✓	✓	✓	✗	100	230VAC 24VDC
NPU-FU/230/230 NPU-FU/230/24	✓	✓	✓	✗	230	230VAC 24VDC
NPU-FU/400/230 NPU-FU/400/24	✓	✓	✓	✗	400	230VAC 24VDC
NPU-FU/480/230 NPU-FU/480/24	✓	✓	✓	✗	480	230VAC 24VDC
NPU-FUV/100/230 NPU-FUV/100/24	✓	✓	✓	✓	100	230VAC 24VDC
NPU-FUV/230/230 NPU-FUV/230/24	✓	✓	✓	✓	230	230VAC 24VDC
NPU-FUV/400/230 NPU-FUV/400/24	✓	✓	✓	✓	400	230VAC 24VDC
NPU-FUV/480/230 NPU-FUV/480/24	✓	✓	✓	✓	480	230VAC 24VDC



Manufacturer:
ComAp, spol. s r.o.
 Czech Republic
 Phone: +420 266 790 611
 Fax: +420 266 316 647
 E-mail: info@comap.cz
 Internet: www.comap.cz

Local Distributor/Partner