

InteliDrive® DCU-Marine

Comprehensive Modular Engine Controller



Features

- Engine sequencing and control
- Engine monitoring and protection
- Switching between primary and secondary battery (with ID-RPU module)
- Redundant module ID-RPU with hardwired safety functions activated in backup mode
- Automatic switchover to backup mode in case of detection of main unit failure
- Setpoints adjustable via keyboard or PC
- Graphical screen with icons and bar graphs
- Event and time driven history record for backtracking
- Different engine application support: Auxiliary, Emergency/Harbour, Propulsion
- Symmetrical load sharing for propulsion engines with J1939 (via CAN bus)
- Clutch control for propulsion engines
- Extension modules for expandable number of Inputs/Outputs (connected via CAN bus)
- Slave panel for remote control available
- Inputs/Outputs configuration
- Configurable support for engines with J1939
- Configurable list of values that are read from J1939 bus
- Support of redundant J1587 communication bus
- Direct speed/load control via J1939 or J1587 buses
- Diagnostic information from J1939 or J1587 displayed in plain intelligible text
- Configurable ModBus and ModBus TCP support for easy integration into the ship's control system
- Remote control via modem or Internet
- Dimensions

Description

InteliDrive® DCU-Marine is a new engine controller from ComAp designed specially to meet the demanding needs of the marine market; providing a high level of performance coupled with extensive communication capabilities and incorporating hardwired safety functions and primary/secondary power switching.

The NEW controller is easily integrated into the ship's control system and takes on board the FULL communication capability with electronic engines. ComAp developed this capability for their market leading gen-set controllers through the use of J1939 and redundant J1587 communication buses. This engine specific approach enables InteliDrive® DCU-Marine to communicate FULLY with the engine's Electronic Control Unit (ECU), delivering a greater range of values and most importantly deliver all diagnostic information in intelligible plain text instead of potentially misleading cryptic codes or flashing lights. The unit provides users with a highly flexible solution, featuring configurable inputs and outputs, allowing the controller to be customized to a particular application or requirement without complicated programming.

Benefits

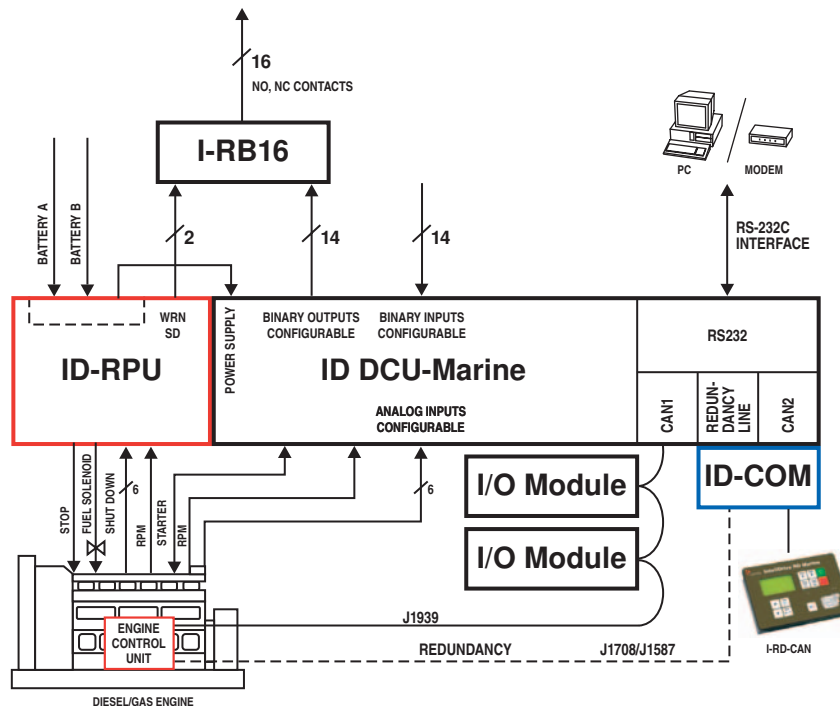
- Integrated solution with hardwired safety functions - less wiring and components
- Full communication support of engines with ECU - simpler wiring, access to information from ECU via ModBus
- Event driven History record, easy backtracking and problem solving
- Load sharing for propulsion engines - better utilization of power of installed engines
- Slave panel available - economical solution of remote control
- Integrated clutch control - less wiring and components
- Many types of communication - easy supervision and servicing
- Perfect price / performance ratio

InteliDrive®

DCU-Marine



Comprehensive Modular Engine Controller



Redundant power module ID-RPU

- Supervision of the main unit in stand by mode
- Automatic of back up mode activation if the main unit fails
- Hardwired safety functions in back up mode
- 1 Emergency stop normally opened
- 5 shutdown channels with broken wires detection
- Fuel and Stop solenoids with broken wires detection
- Automatic switchover between primary and secondary battery
- Common alarm and Common shutdown outputs

Relay board I-RB16

- 16 relays for ID-DCU (ID-RPU) binary outputs separation
- Each channel has both n.o. and n.c. contacts available
- LED state indication

Communication module ID-COM

- Multi-controller and/or Remote display communication
- Redundancy line J1708/J1587

Communication extension and software tools

- **IG-IB** - Ethernet/Internet communication support; multiple engines monitoring and control via Internet; ModBus TCP protocol support; active e-mails on engine failure
- **IG-MU** - multiple engines monitoring/control via RS422/RS485/modem; ModBus protocol support
- **DriveMonitor** - free PC software for supervision of one Intelidrive® controller; it is possible to change all setpoints and display all values; direct/modem/Internet connection
- **DriveConfig** - free PC software tool for Inputs, Outputs and J1939 configuration

Extension features

- Up to 4x IS-AIN8 (8 analogue configurable inputs; 2 or 3 wire resistive sensors; voltage, current sensors; thermocouples)
- Up to 4x IS-BIN16/8 (16 binary inputs, 8 binary outputs; galvanic separated I/O)
- Up to 4x IGS-PTM (4 analogue inputs; 8 binary inputs, 8 binary outputs)
- Up to 2x I-RD CAN Slave panel
- IGL-RA15 (15 green / amber / red LED indicators)
- I-CB interface to many types of electronic engine control units (e.g. MDEC/MTU, CCM/Caterpillar)



Manufacturer:
ComAp, spol. s r.o.
 Czech Republic
 Phone: +420 266 790 611
 Fax: +420 266 316 647
 E-mail: info@comap.cz
 Internet: www.comap.cz

Local Distributor/Partner